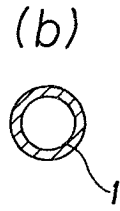
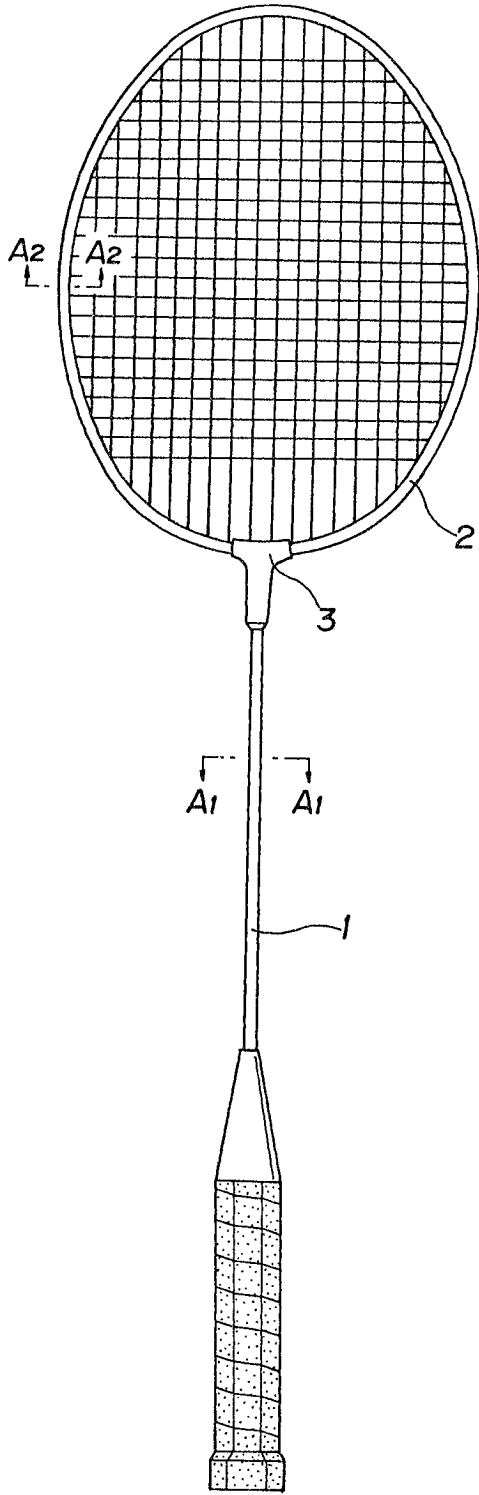
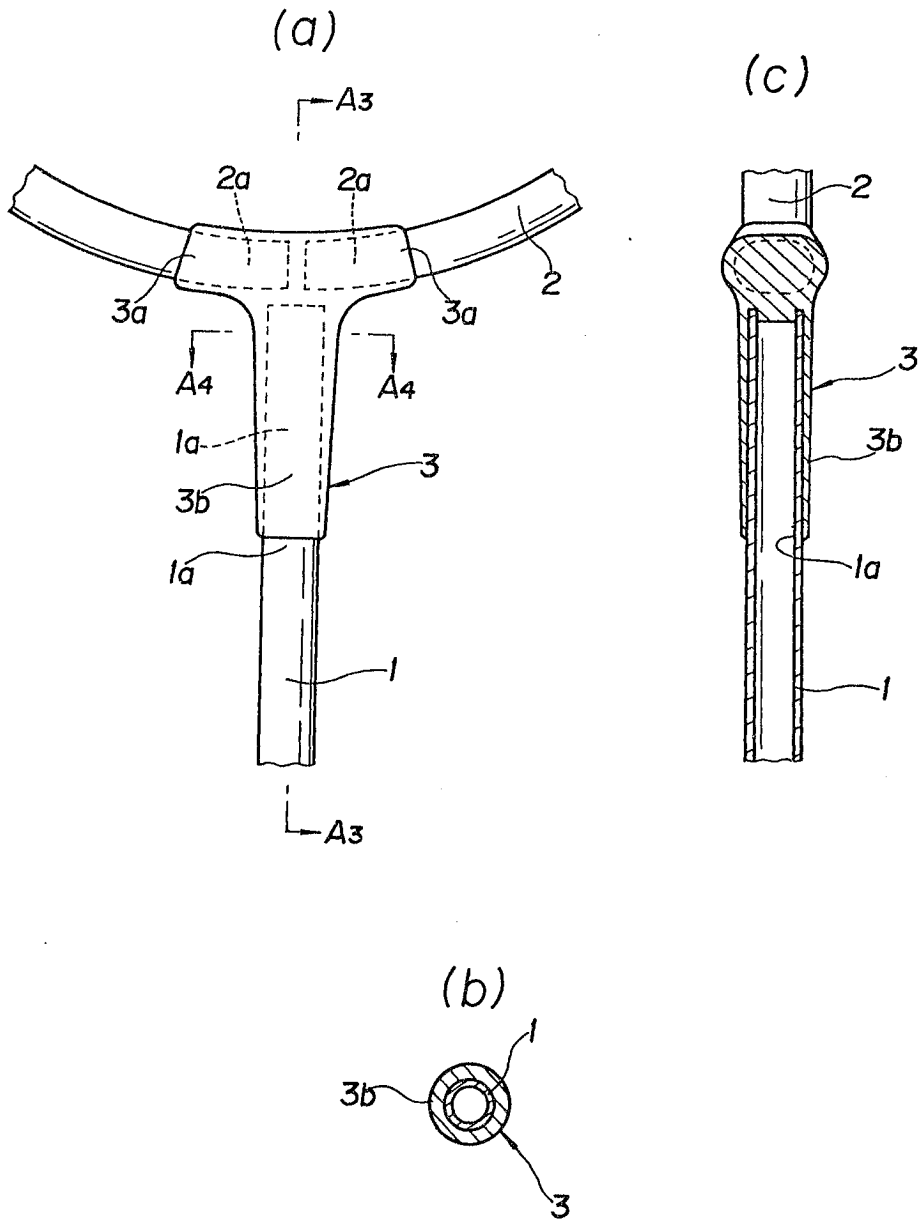


FIG. 1 (a)



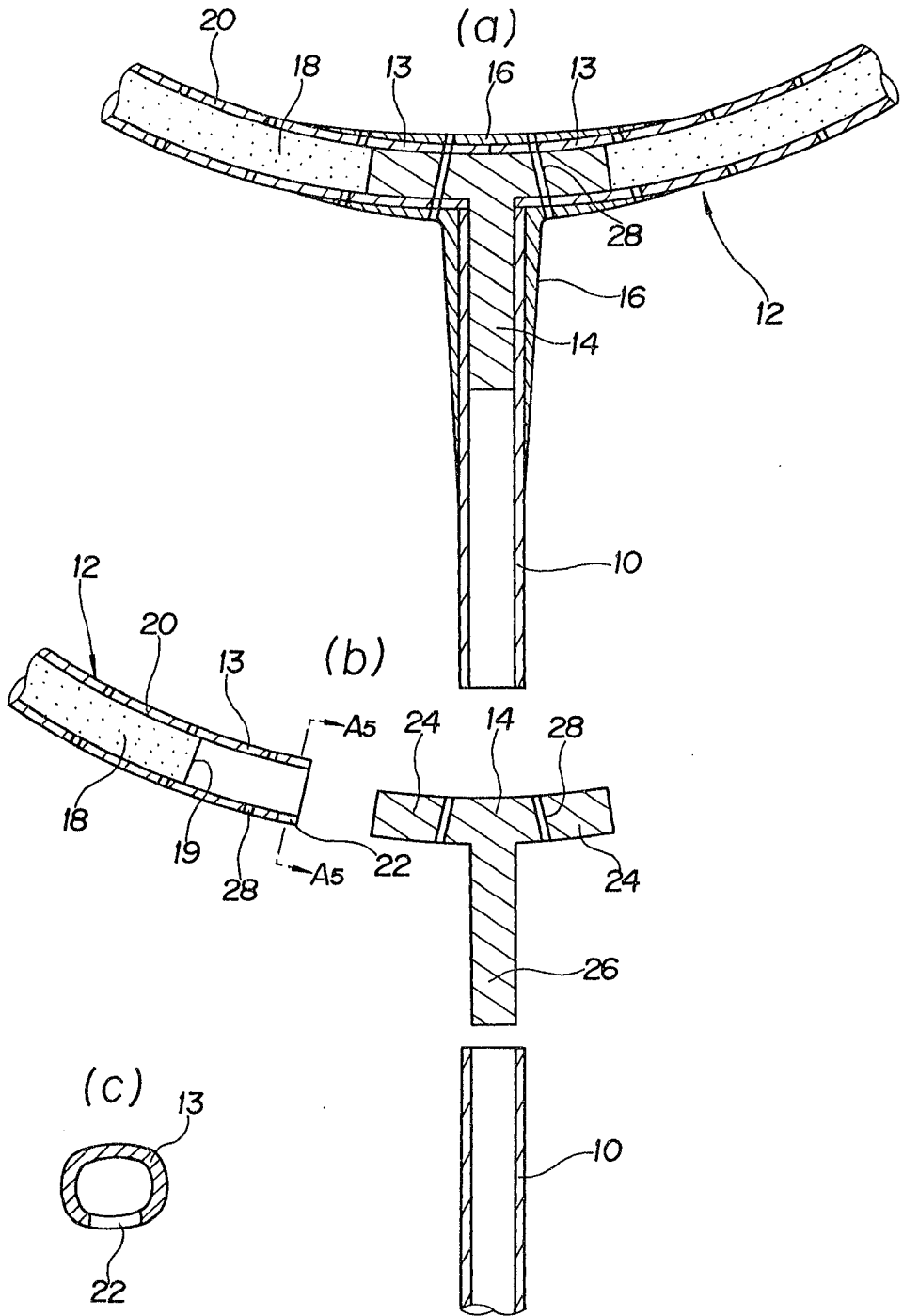
*Handwritten signature*

FIG. 2



Marks & Clerk

FIG. 3

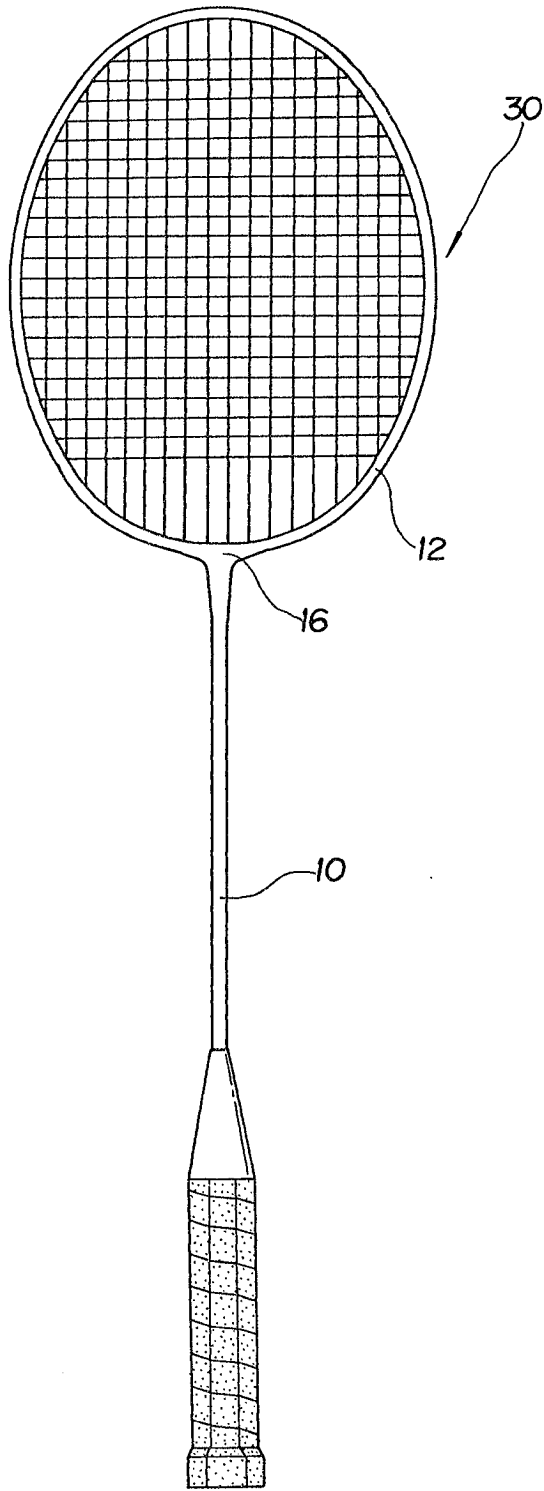


Marks & Clerk

1240721

5-4

FIG. 4



Marks & Clerk

FIG. 5

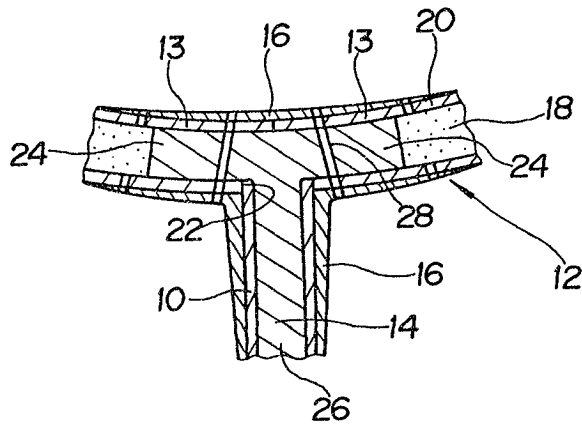
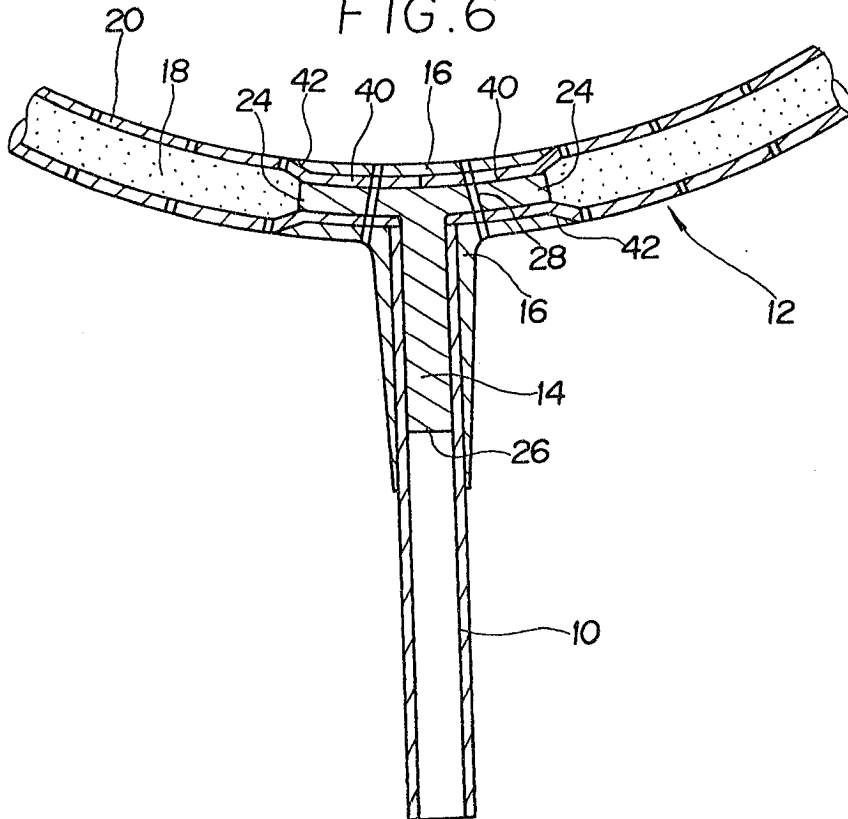


FIG. 6



Marks & Clerk