

BICYCLE DRIVE MECHANISM

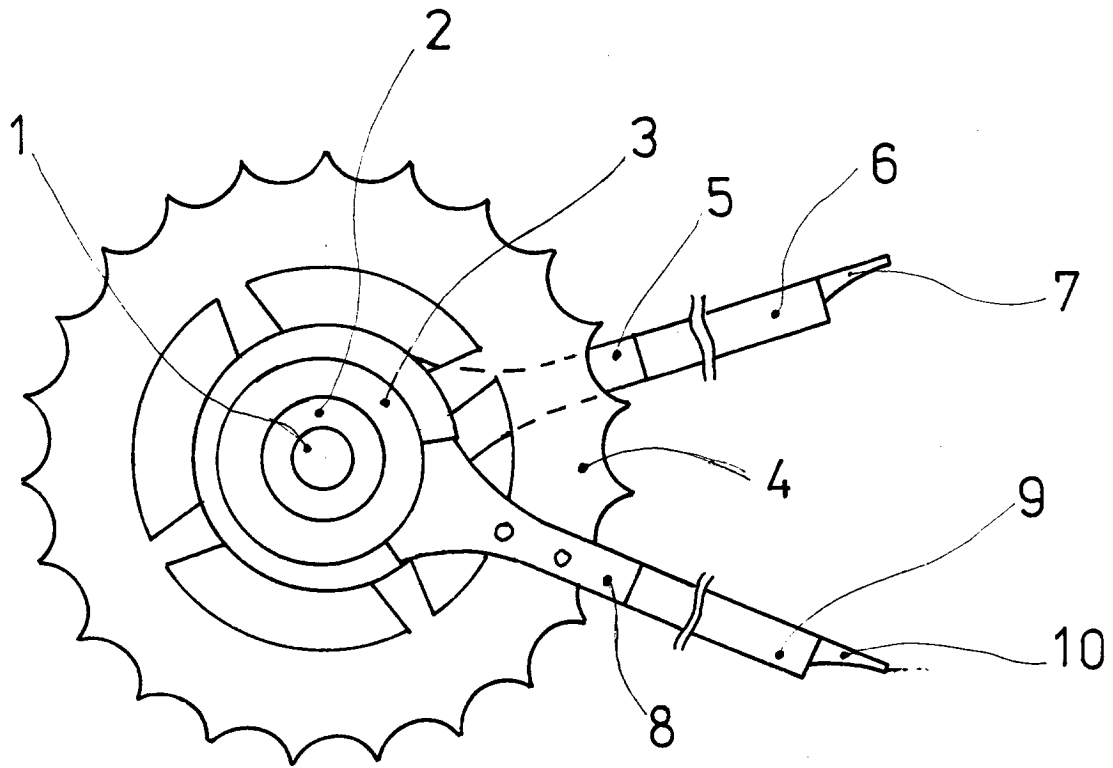


Fig 1

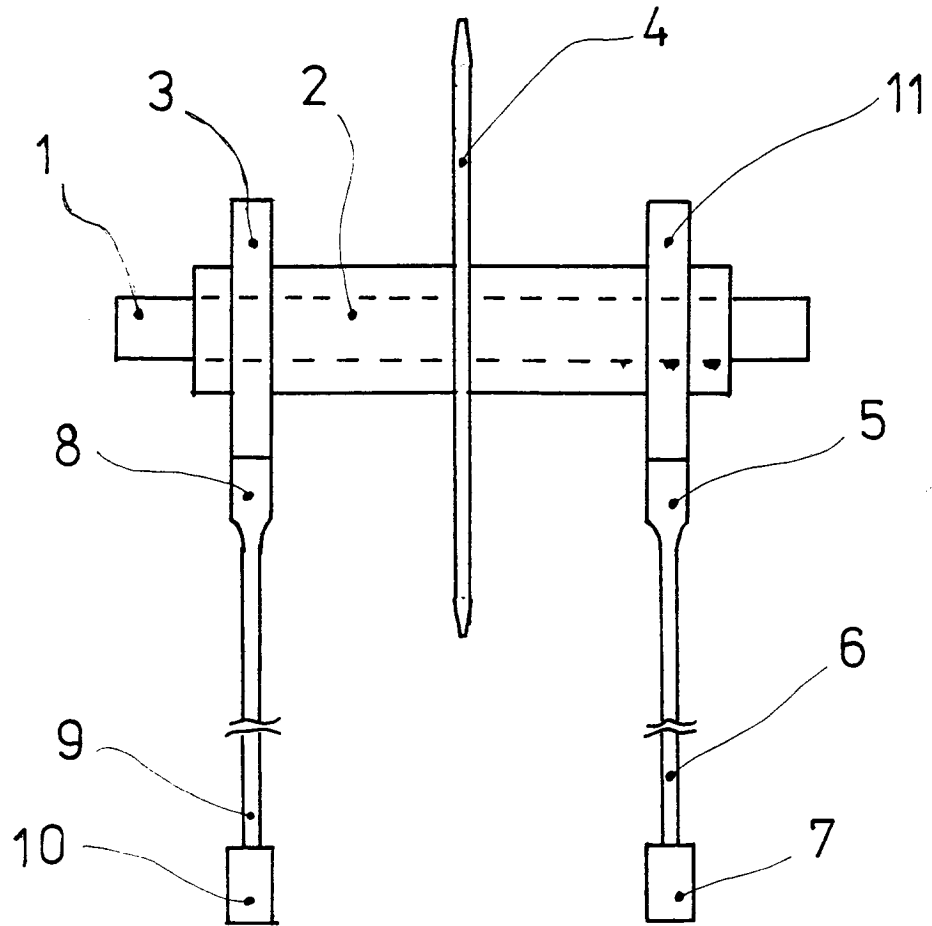


Fig 2

Vladimir Rakocevic  
*Vladimir Rakocevic*

2120535

Vladimir Rakocevic

BICYCLE DRIVE MECHANISM

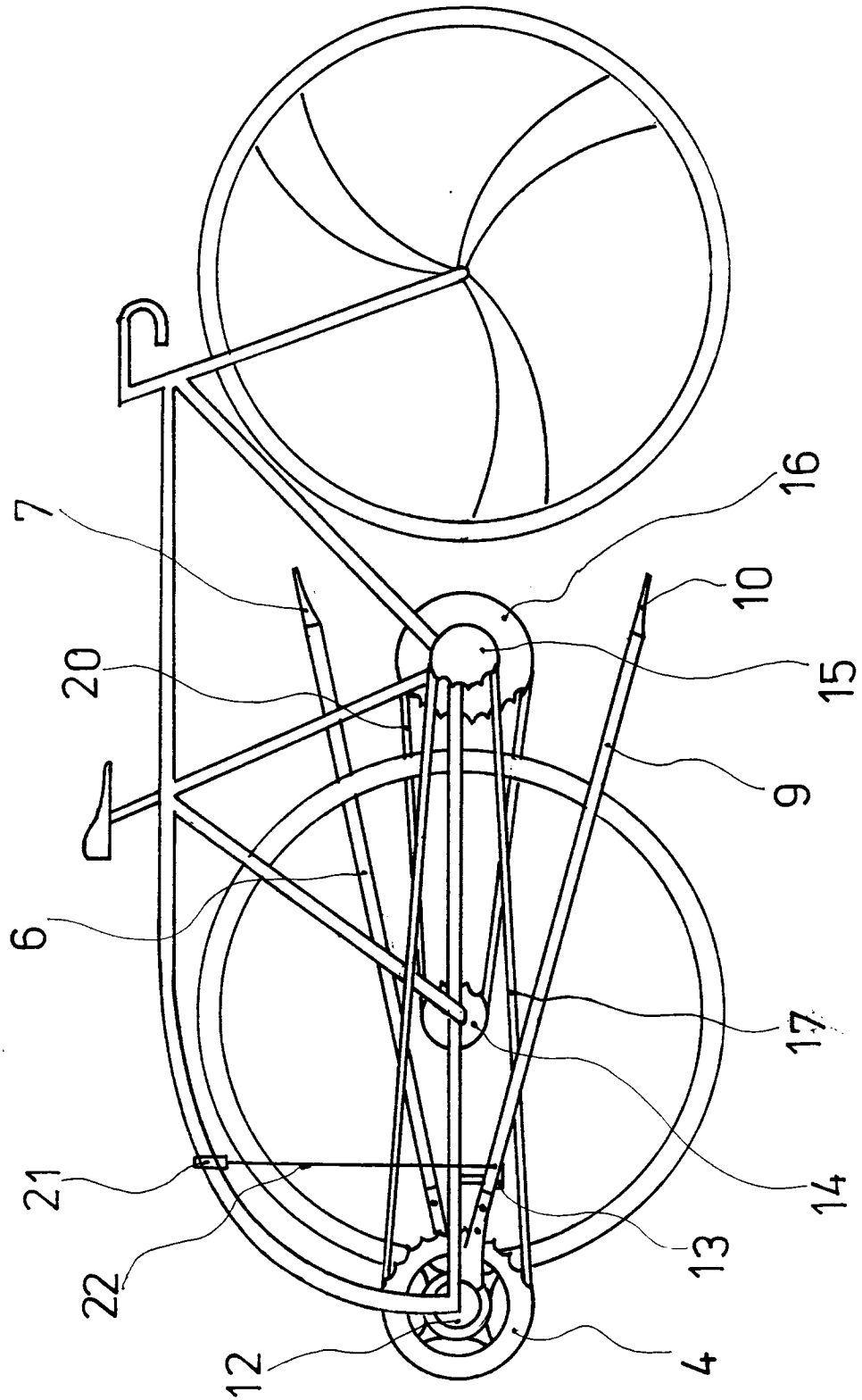


Fig 3

Vladimir Rakocevic  
*Vladimir Rakocevic*