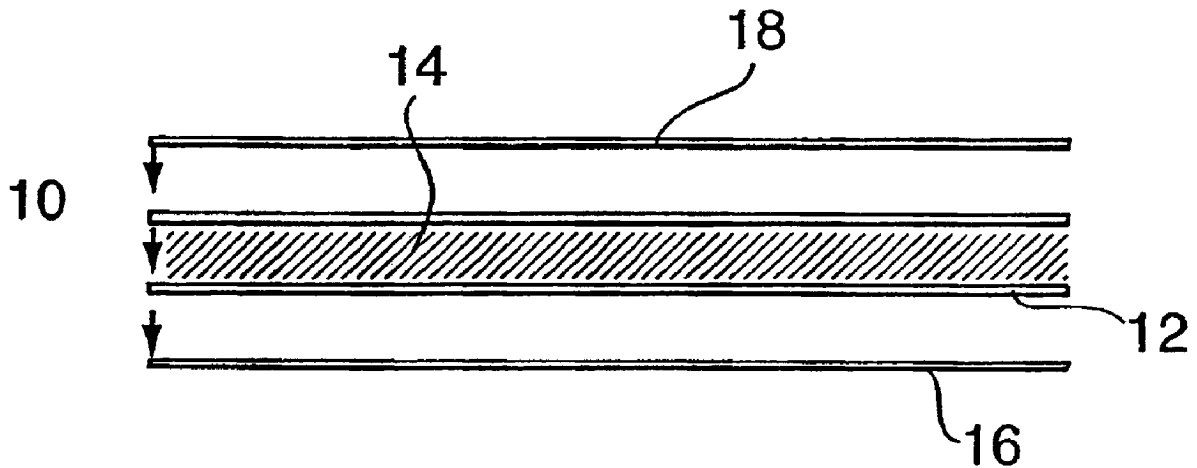




(22) Date de dépôt/Filing Date: 2000/04/06  
 (41) Mise à la disp. pub./Open to Public Insp.: 2001/08/28  
 (45) Date de délivrance/Issue Date: 2009/05/26  
 (30) Priorité/Priority: 2000/02/28 (US09/515,056)

(51) Cl.Int./Int.Cl. *C03B 31/00* (2006.01),  
*B32B 17/10* (2006.01), *C03B 23/023* (2006.01),  
*B44F 1/06* (2006.01)  
 (72) Inventeur/Inventor:  
 SILAS, RICK, CA  
 (73) Propriétaire/Owner:  
 SILAS, RICK, CA  
 (74) Agent: THOMSON, J. GORDON

(54) Titre : PROCÉDE DE BOMBAGE DU VERRE  
 (54) Title: GLASS BENDING PROCESS



(57) Abrégé/Abstract:

A process for bending tempered glass. The process involves adhering two sheets of tempered glass in overlying relation and positioning a containment barrier such as vinyl sheets over the adhered unit. The glass is fractured and the unit manipulated into a desired shape. Once the adhesion has set, the vinyl is removed.