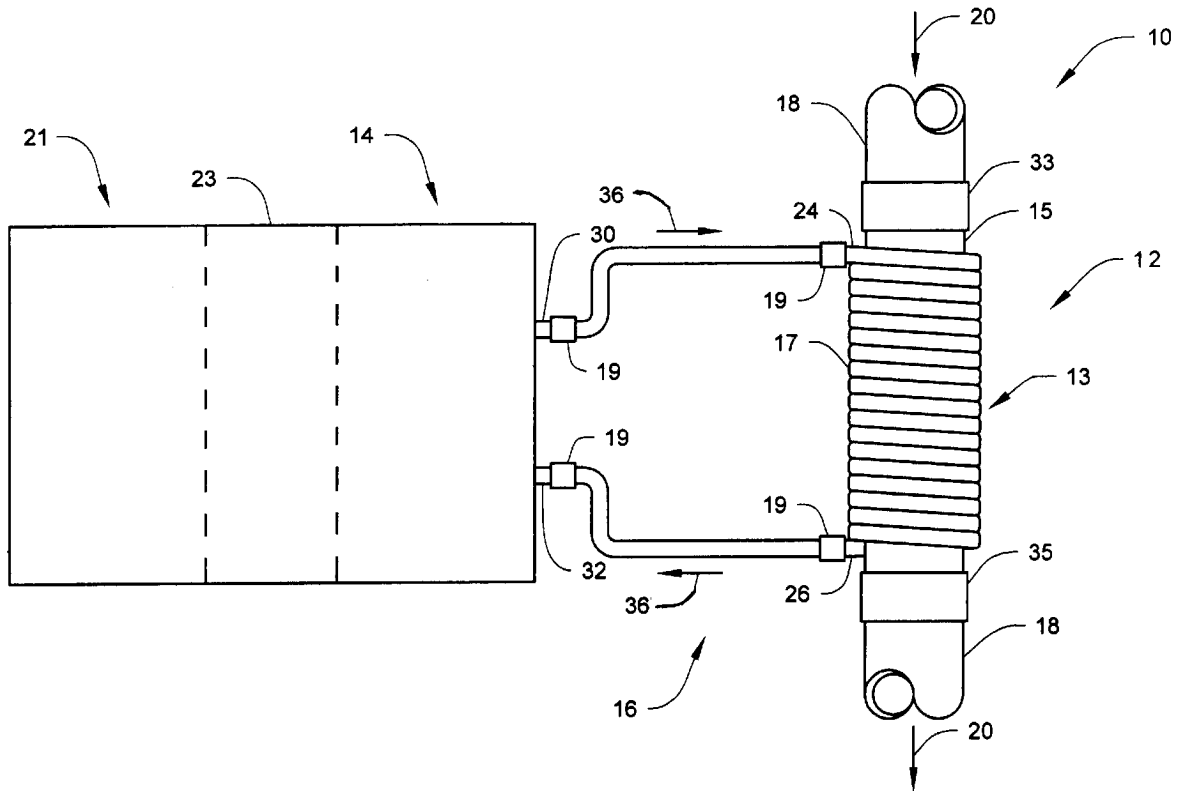




(86) Date de dépôt PCT/PCT Filing Date: 2003/11/25
 (87) Date publication PCT/PCT Publication Date: 2004/06/17
 (85) Entrée phase nationale/National Entry: 2005/05/26
 (86) N° demande PCT/PCT Application No.: US 2003/037694
 (87) N° publication PCT/PCT Publication No.: 2004/051148
 (30) Priorité/Priority: 2002/11/27 (60/429,160) US

(51) Cl.Int.⁷/Int.Cl.⁷ F24D 3/18, F28D 7/02
 (71) Demandeur/Applicant:
JANSSEN, TERRANCE E., US
 (72) Inventeur/Inventor:
JANSSEN, TERRANCE E., US
 (74) Agent: SMART & BIGGAR

(54) Titre : SYSTEME D'APPAREIL ECHANGEUR THERMIQUE ET PROCEDES ASSOCIES
 (54) Title: HEAT EXCHANGE APPARATUS, SYSTEM, AND METHODS REGARDING SAME



(57) Abrégé/Abstract:

A heat exchange apparatus (e.g., that may be used with an existing conduit that is in a flooded state and a heat pump apparatus or other HVAC apparatus of a thermal energy exchange system) includes at least one fluid source conduit configured to replace a section of the existing conduit that is in a flooded state and further configured to permit at least a portion of a fluid that is in the

(57) **Abrégé(suite)/Abstract(continued):**

existing conduit to flow therethrough. The heat exchange apparatus further includes at least one heat transfer conduit having an inlet and outlet configured to be coupled to a heat pump apparatus to form a closed loop therewith. Further, the heat transfer conduit is further configured to communicate with the fluid source conduit for providing thermal energy exchange between the fluid flowing through the fluid source conduit and a fluid (e.g., a refrigerant, water or a water and anti-freeze mixture) flowing in the closed loop.