

FIG. 2

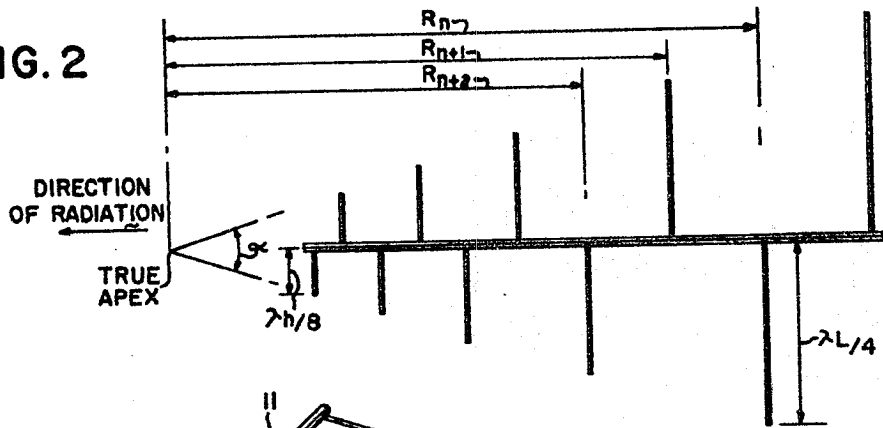


FIG. 1

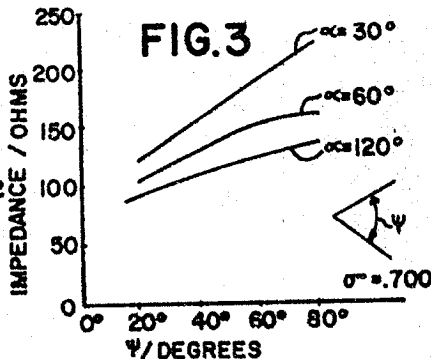
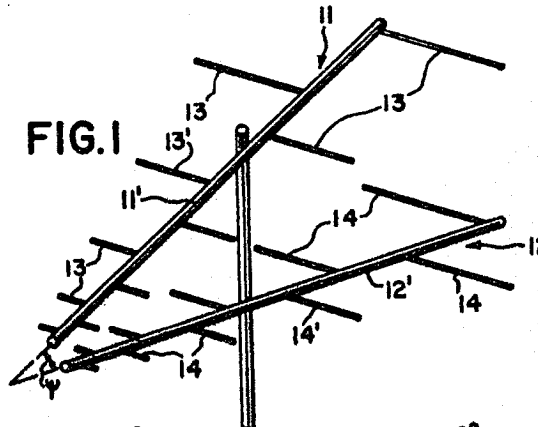


FIG. 4a

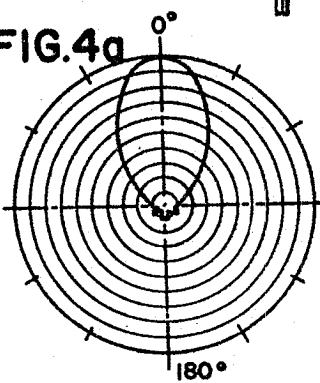


FIG. 4b

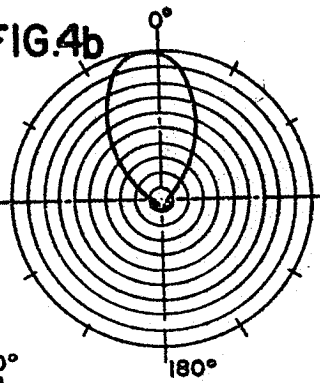


FIG. 5a

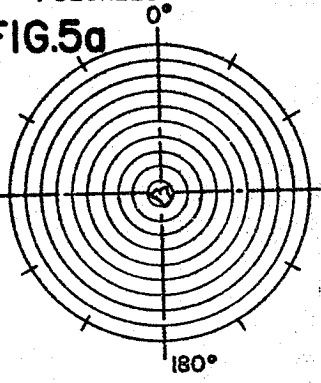
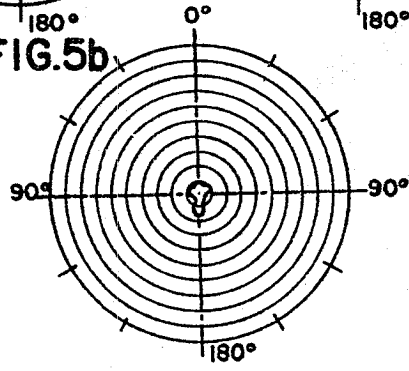


FIG. 5b



INVENTOR

G. J. VAN OSDOL

PATENT AGENT

*Goring, Mac Tavish,
Osborne & Henderson*